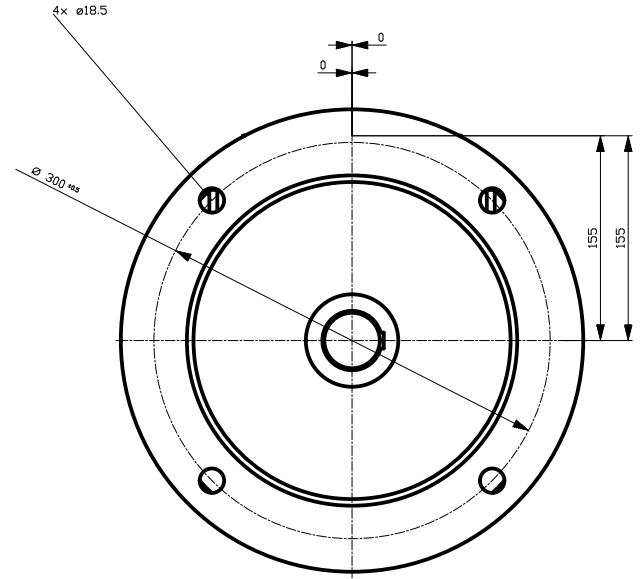
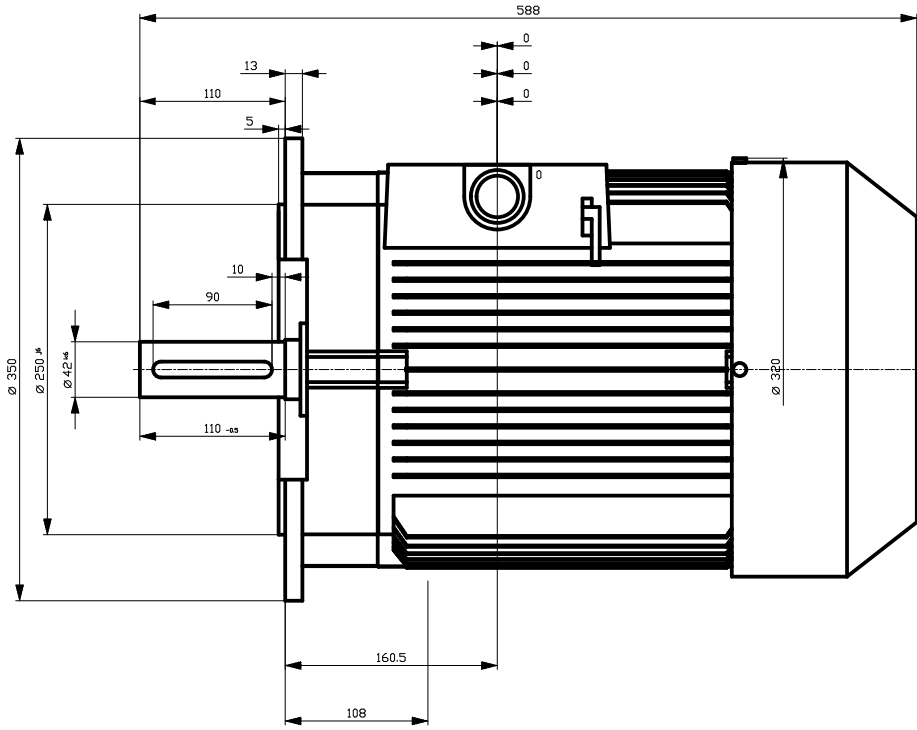
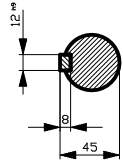


1LA7164-2AA61
1LA7164-2AA61



	-	
Unit	mm	
Date	01.11.12	
SIEMENS AG I DT LD Nuernberg 2008.06		1LA7164-2AA61
		-
		DT